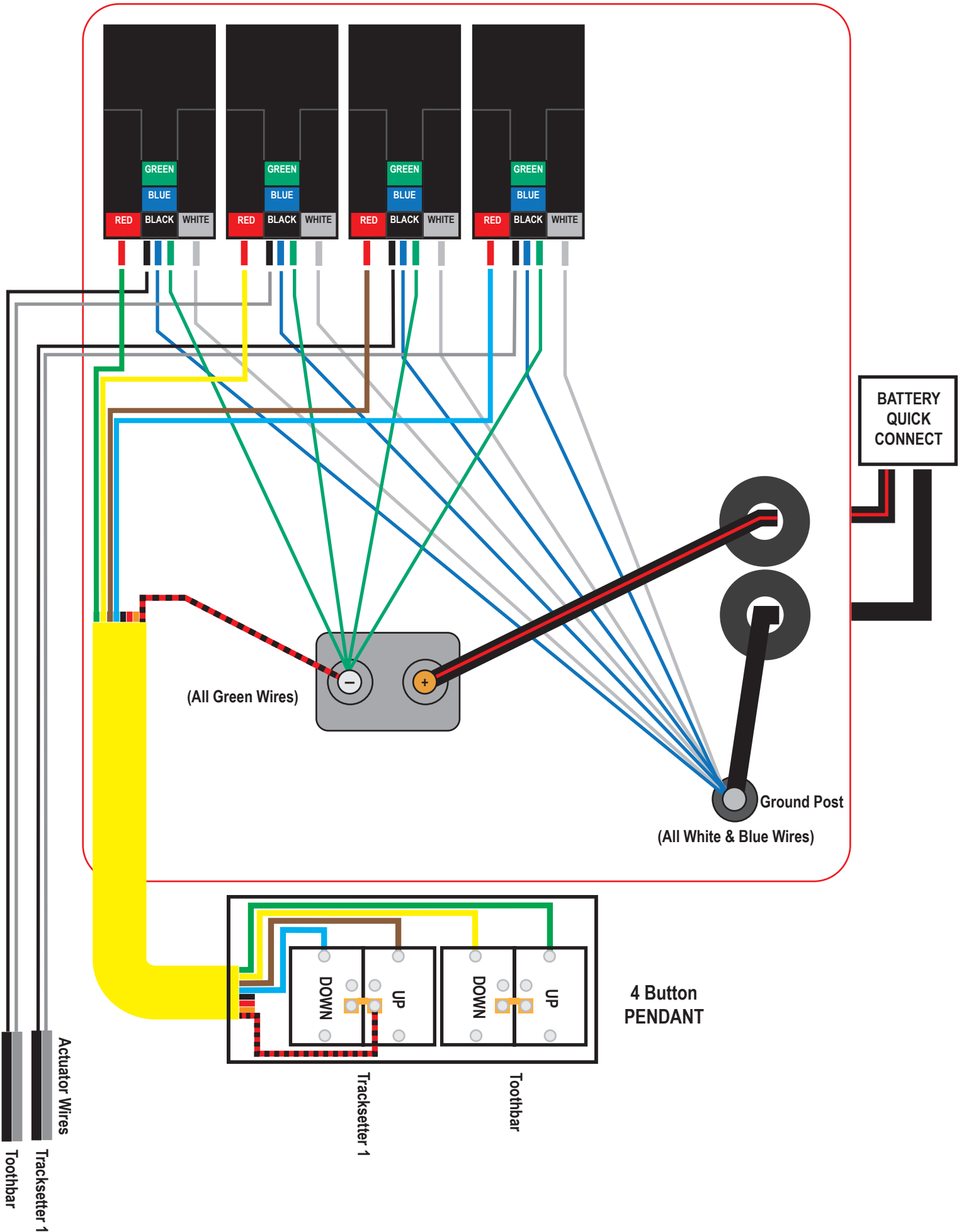


WIRING PROCESS FOR 4 BUTTON PENDANT



4 BUTTON PENDANT

Wires Used:

Green (left side)

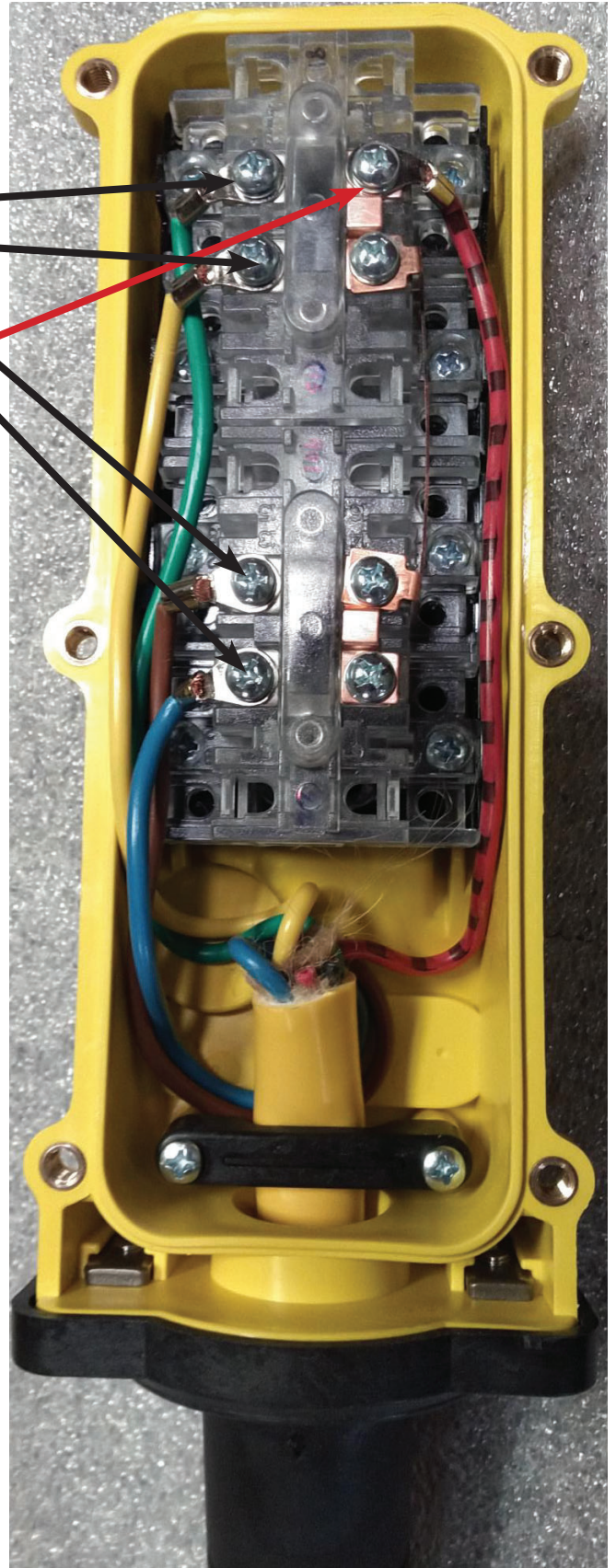
Yellow (left side)

Brown (left side)

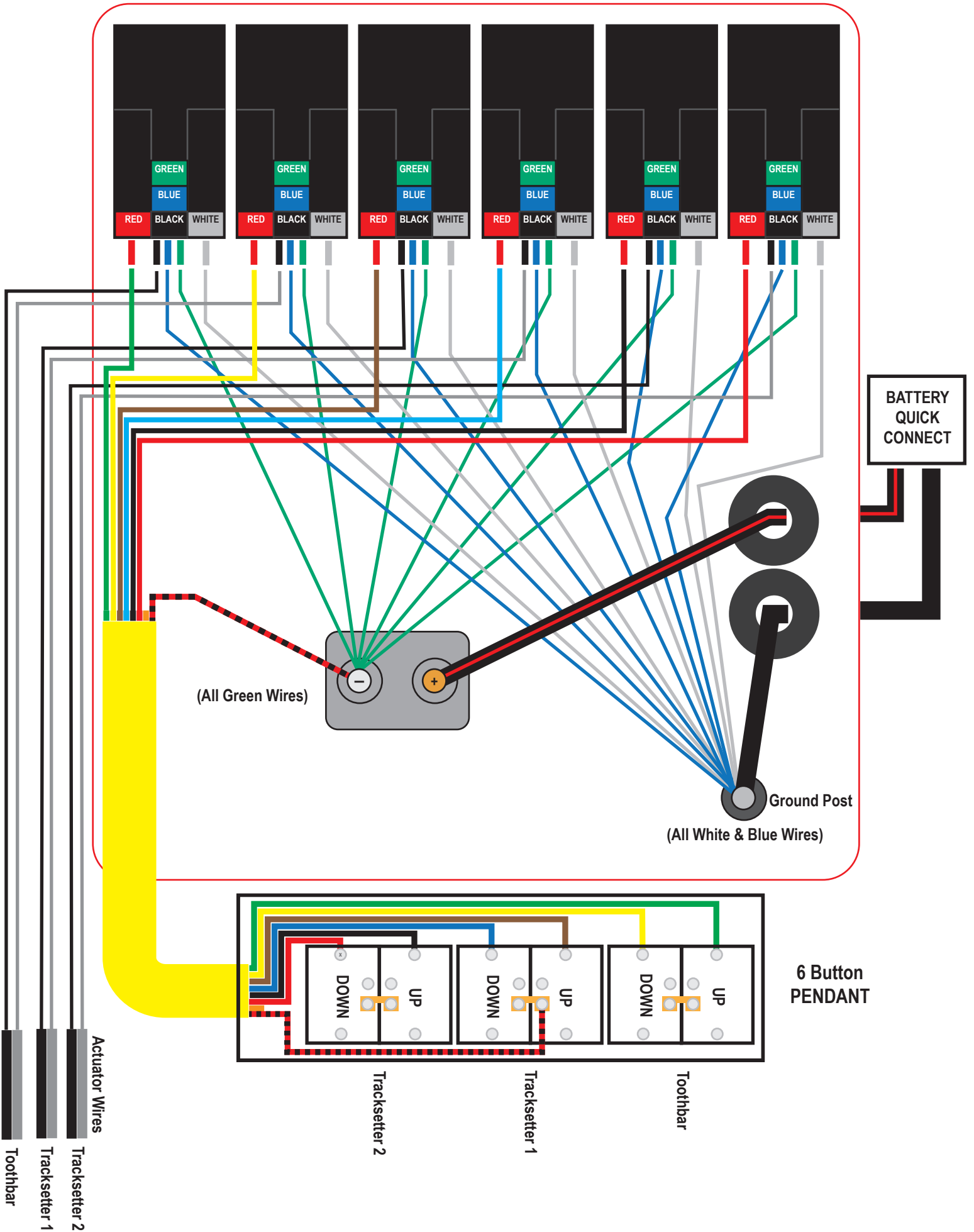
Blue (left side)

Red with black line (right side)
doesn't matter which terminal you use, as
there are only (2) with the 4 button.

Any remaining wires that are not used can
be tucked into pendant or clipped off.



WIRING PROCESS FOR 6 BUTTON PENDANT



6 BUTTON PENDANT

Wires Used:

Green (left side)

Yellow (left side)

Brown (left side)

Blue (left side)

Black (left side)

Red (left side)

Red with black line (right side)

Any remaining wires that are not used can be tucked into pendant or clipped off.

